



# Omlet/Scrambled Egg Form

Product # 127

No-waste cooking! Scramble eggs right on the griddle using Prince Castle's scrambled egg form. The scrambled egg form produces neat, appetizing orders of scrambled eggs with little effort. The egg form is coated with a nonstick coating for no-waste cooking and easy cleanup. Durable metal construction prevents eggs from leaking. The 127 egg ring has a 8" diameter and scrambles up to multiple eggs at once.

## Product Features

- Scramble multiple eggs at one time.
- Non-stick coating for no-waste cooking and easy cleanup.
- Saves griddle space.
- Eggs are easier to manage and help you to serve a neat and appetizing egg product.
- Easy to clean.

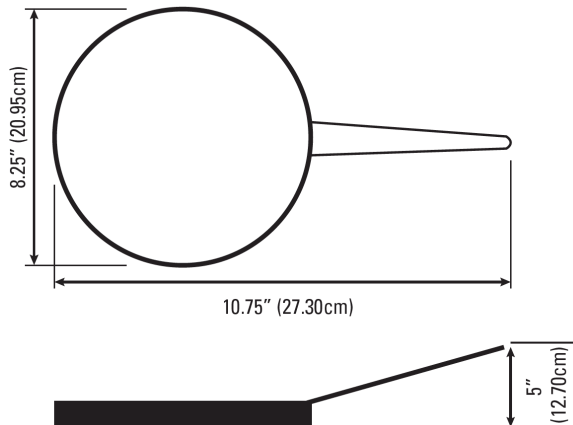
## Dimensions

Model Number	Width in (cm)	Length in (cm)	Height in (cm)	Shipping Weight lbs (kg)
127	8.25 (20.9)	10.75 (27.30)	5.00 (12.7)	1.00 (0.45)

## Ordering Information

Model Number	Description
127	Omlet/Scrambled Egg Form 8" (20.9 cm) Diameter

## Specifications



## Certifications



355 E. Kehoe Blvd.  
Carol Stream, IL 60188

1.800.PCASTLE • 630.462.8800  
www.princecastle.com

