



In-Line Egg Ring Product # 122-032

Get perfect eggs! Prince Castle helps you cook perfect eggs with consistent results. Prince Castle's 122-032 inline egg rings help make efficient use of grill space while making perfect individual portions for egg sandwiches or omelets. A non-stick coating provides for no-waste cooking and fast and easy clean-up.

Product Features

- Helps maximize griddle space.
- Produces perfect individual portions.
- Nonstick coating for easy cleanup and no waste cooking.
- Cool-to-the-touch wire handles make handling easy.
- Four rings per unit, each with a 3-3/4" diameter.

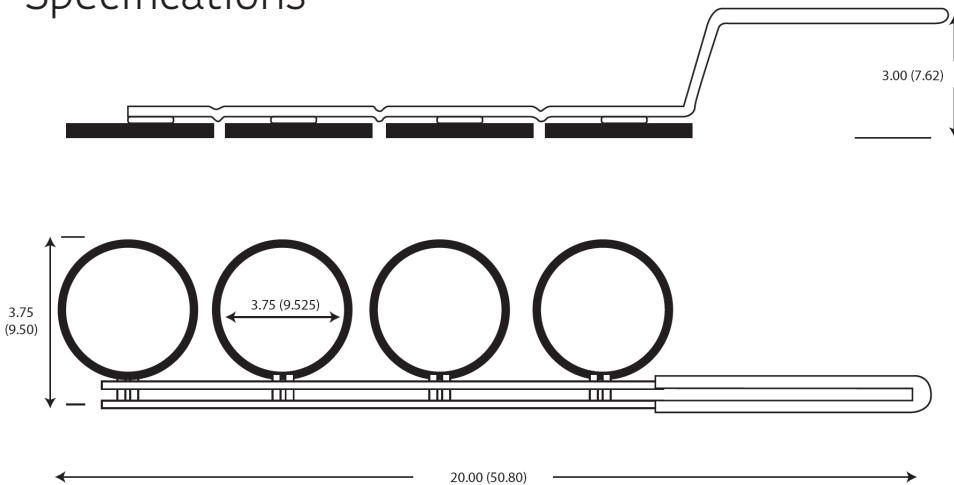
Dimensions

Model Number	Width in (cm)	Length in (cm)	Height in (cm)	Shipping Weight lbs (kg)
122-032	3.75 (9.50)	20.00 (50.80)	3.00 (7.62)	4.00 (1.80)

Ordering Information

Model Number	Description
122-032	Inline Egg Ring
234-2	Replacement Rings

Specifications



Certifications



355 E. Kehoe Blvd.
Carol Stream, IL 60188

1.800.PCASTLE • 630.462.8800
www.princecastle.com

