

OPERATING INSTRUCTIONS

PRINCE CASTLE INC. 

Tomato Saber™ Model No. 943-AH, BH & DH Series (For Cored Tomatoes)



Prince Castle's Tomato Saber™ slicer is designed to precisely slice whole tomatoes. With the exclusive Perma-Tight™ disposable blade cartridge system, this unit never requires blade tightening or adjusting. Engineered for durability and long life, the Tomato Saber™ features self-lubricating bearings, a blade guard, a raised carriage plate for equal size slices (no thrown away slices) and a contoured Tomato Pusher. The unit is shipped with a Tomato Catcher, Table Stop and Tomato Core-It™.

TABLE OF CONTENTS

PAGE

| | |
|------------------------|---|
| Installation | 2 |
| Operating | 2 |
| Cleaning | 3 |
| Replacing Blades | 3 |
| Exploded View | 4 |
| Parts List | 4 |

LIMITED WARRANTY

This product is warranted to be free from defects in material and/or workmanship for a period of 1 year from date of original installation, not to exceed 18 months from the date of manufacture.

Any component which proves to be faulty in material and/or workmanship will be replaced or repaired (at the option of Prince Castle, Inc.) without cost to the customer for parts and labor. This equipment is portable; charges for on-location service (e.g., trip charges, mileage) are not included in the provisions of this warranty.

This warranty is subject to the following exceptions/conditions:

- Use of any non-genuine Prince Castle parts voids this warranty.
- All labor to be performed during regular work hours. Overtime premium (the incremental amount) will be charged to the customer.
- Damage caused by carelessness, neglect and/or abuse (e.g., dropping, tampering or altering parts, equipment damaged in shipment, by fire, flood or an act of God) is not covered under this warranty.
- All problems due to operation at voltages other than that specified on equipment nameplates are not covered by this warranty. Conversion to correct voltage is the customer's responsibility.
- This equipment must be serviced by Prince Castle Authorized Service Agency or a Prince Castle Service Technician during the warranty period.

PRODUCT SPECIFICATION

| Model No. | Slice Size |
|-----------|---------------|
| 943-AH | 3/16" (.48cm) |
| 943-BH | 1/4" (.64cm) |
| 943-DH | 7/32" (.56cm) |

PRINCE CASTLE INC. 
WORLDWIDE

355 East Kehoe Blvd. • Carol Stream, IL 60188
Tel: (630) 462-8800 • Fax: (630) 462-1460
Toll Free: 1-800-PCASTLE

INSTALLATION

1. After you have removed the Tomato Saber™ from the carton, inspect the unit for signs of damage. If there is damage to the unit:
 - Notify carrier within 24 hours after delivery.
 - Save carton and packing materials for inspection purposes.
 - Contact your Price Castle Dealer for replacement or the Prince Castle Customer Sales Department at 1-800-722-7853 if purchased directly.
2. Verify that all parts have been received.
 - Tomato Saber™ slicer and Perma-Tight blade cartridge.
 - Tomato Catcher—neatly catches tomato slices.
 - Table Stop Assembly—stabilizes unit for easier slicing.
 - Tomato Core-It™—easily removes cores before slicing.
3. Place slicer on prep table or flat surface.
4. Attach Tomato Catcher to slicer by sliding bottom cutouts over knobs at far end of unit. See figure 1.

figure 1



IMPORTANT: Use of the Tomato Catcher is optional.

5. Attach Table Stop by first removing two knobs from the operator end of slicer. Align the two holes of Table Stop with the holes in the base of the slicer. Reattach the two previously removed knobs over the Table Stop. See figure 2.

IMPORTANT: Use of the Table Stop is optional.

figure 2



OPERATION

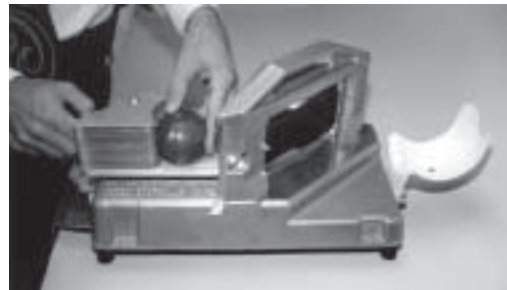


CAUTION: Blades are extremely sharp. Keep fingers away from blades.

IMPORTANT: The Tomato Saber™ is designed to slice *tomatoes* only. Using it to slice other products will damage the slicer and void the warranty.

1. For best results, use fresh, ripe tomatoes. Tomatoes should not exceed 3-1/2 inches (.76cm) in diameter.
2. Core the tomato using Prince Castle's Tomato Core-It™. Make sure to remove the core completely.
3. While holding bridge with one hand, grasp round pusher handle with other hand, and pull carrier assembly all the way back.
4. Position tomato against Tomato Pusher with core side down. See figure 3.

figure 3



5. While holding bridge with one hand, grasp round pusher handle with other hand. Push tomato completely through blades with **ONE QUICK, FIRM STROKE** until the pusher head stops. See figure 4.

figure 4



6. After tomato has been sliced, remove tomato slices from Tomato Catcher.

CLEANING



CAUTION: Blades are extremely sharp.
Keep fingers away from blades.

IMPORTANT: The Tomato Saber™ must be cleaned after each use.

1. Remove Tomato Catcher and Table Stop to clean separately. *Note: Do not remove Perma-Tight™ blade cartridge from unit.*
2. Spray slicer with hot water to remove any tomato residue.
3. With hot, soapy water, scrub Tomato Pusher using a nylon brush. With same brush, clean blades from back side.
4. Rinse unit with hot water.
5. Let air dry.

REPLACING BLADES

1. Grasp round, red handle and pull carrier assembly all the way back.
2. While holding the bridge with one hand, firmly grasp the blade cartridge by the finger grip with other hand. Pull the blade cartridge all the way out. The blade clip will release the cartridge. See figure 5.



3. Slide in the new blade cartridge with arrow facing up. See figure 6.

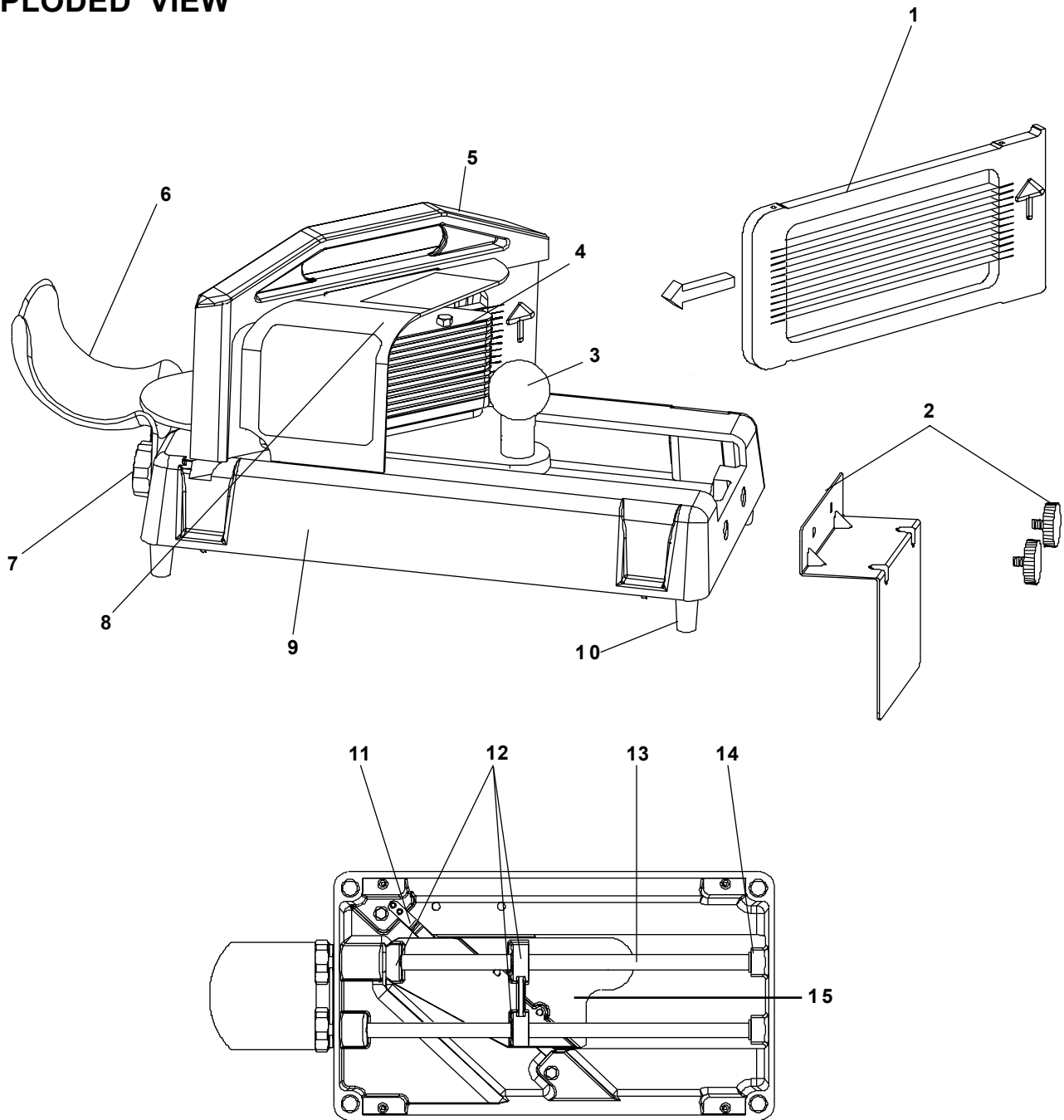


4. Firmly push the blade cartridge into place until it snaps into the blade clip. See figure 7.



5. Properly discard the old blade cartridge using the packaging from new blade cartridge.

EXPLODED VIEW



PARTS LIST

| ITEM | PART NO. | DESCRIPTION | ITEM | PART NO. | DESCRIPTION |
|------|----------|--|------|----------|----------------------------------|
| 1 | 943-038A | Blade Assy. $\frac{3}{16}$ " (0.48 cm) | 6 | 943-018S | Tomato Catcher |
| | 943-039A | Blade Assy. $\frac{1}{4}$ " (0.64 cm) | 7 | 943-033S | Guide Rod Knobs (Pkg. of 2) |
| | 943-041A | Blade Assy. $\frac{7}{32}$ " (0.56 cm) | 8 | 943-012S | Blade Guard |
| 2 | 943-047S | Table Stop w/Knobs | 9 | 943-002 | Base |
| | 76-626S | Knobs (Pkg. Of 2) | 10 | 89-959S | Rubber Foot (Pkg. of 4) |
| 3 | 943-049S | Pusher Handle w/Mounting Screw | 11 | 943-034S | Blade Latch Kit |
| 4 | 943-050 | Tomato Pusher Assy. | 12 | 943-006S | Carriage w/Bearings |
| | | $\frac{3}{16}$ " (0.48 cm & 0.95 cm) | 13 | 943-017S | Guide Rods w/Cushions (Set of 2) |
| | 943-051 | Tomato Pusher Assy. $\frac{1}{4}$ " (0.64 cm) | 14 | 919-17S | Guide Rod Cushions (Pkg. of 4) |
| | 943-052 | Tomato Pusher Assy. $\frac{7}{32}$ " (0.56 cm) | 15 | 943-064 | Carriage Plate |
| 5 | 943-004S | Bridge w/Mounting Screws | | | |