

Manual Grill Tool Sharpener Product # 164-B

Give a sharp, straight edge to scrapers and spatulas quickly and easily with the Prince Castle's Manual Grill Tool Sharpener. Simply insert the tool into the sharpener, and slide back and forth over the sharpening file for a perfect edge every time. Safe to use, the model 164-B features non-skid feet and easy grip handles.

Precision edges on grill tools allow you to quickly clean up your grill with less effort and no scratching. Sharp spatulas pick up meat cleanly without tearing, and sharp tools clean grill surfaces better, eliminating excess carbon that can affect food flavor.

Product Features

- Helps Redi-Grill® blades and spatulas stay sharper longer.
- Makes grill maintenance fast and easy by keeping tools sharp.
- One-year warranty.

Accessories

Model Number	Description
366-B	Meat Spatula 41/2 in. (10.79 cm)
367-B	Meat Spatula 5 in. (12.7 cm)

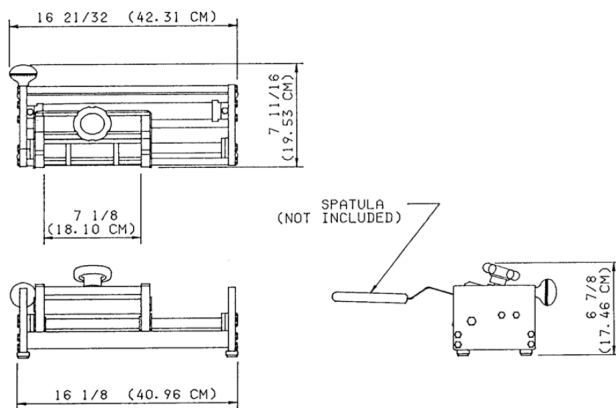
Dimensions

Model Number	Depth in (cm)	Length in (cm)	Height in (cm)	Shipping Weight lbs (kg)
164-B	7.69 (19.53)	16.66 (42.31)	6.88 (17.46)	23 (10.4)

Ordering Information

Model Number	Description
164-B	Manual Grill Tool Sharpener

Specifications



Certifications



355 E. Kehoe Blvd.
Carol Stream, IL 60188

1.800.PCASTLE • 630.462.8800
www.princecastle.com