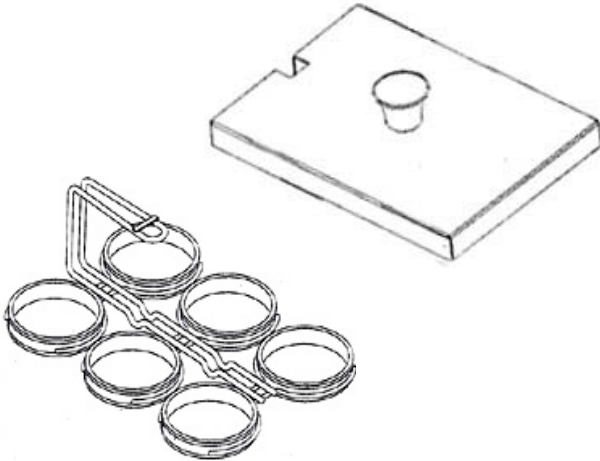


# OPERATING INSTRUCTIONS

## Six-Pak Egg Ring Model No. 122-043Y (3.75")



The Six-Pak egg rings make breakfast sandwiches in a snap. A non-stick coating allows operators to cook without waste by eliminating sticking. Cook up to six individual portions for egg sandwiches and signature breakfast entrées. Compact size makes efficient use of grill space.

### SPECIFICATIONS

MODEL	SIZE
No. 122-043Y Six-Pak Egg Ring With Cover	6-3-3/4" (7.62 cm) Diam. Rings

### LIMITED WARRANTY

This product is warranted to be free from defects in material and/or workmanship for a period of one year from the date of original installation. Any component which proves to be faulty during the warranty period will be replaced without cost to the customer.

### PARTS

1. Always refer to the Parts List in this manual. Part numbers are needed for reference when ordering.
2. All replacement parts should be purchased from your local Prince Castle Service Agency or your local Prince Castle Distributor.
3. RETURNS: All inoperable warranty parts must be returned to the Service Center.

### INSTALLATION

1. After you have removed the unit from the carton, inspect the unit for signs of damage. If there is damage to the unit:
  - Notify carrier within 24 hours after delivery.
  - Save carton and packing materials for inspection purposes.
  - Contact your local Prince Castle dealer to arrange for a replacement to be sent.
2. Verify that all parts have been received.

PRINCE CASTLE INC.   
WORLDWIDE

355 East Kehoe Blvd. • Carol Stream, IL 60188  
Tel: (630) 462-8800 • Fax: (630) 462-1460  
Toll Free: 1-800-PCASTLE

---

## OPERATION

1. Before using, wash cover and ring set with mild soap and water.
2. Place egg ring on grill surface.
3. Season grill & inside of rings.
4. Crack an egg into each ring. To speed cooking time, place the optional cover over the rings.
5. Cook for 2½ minutes.
6. Remove Egg Ring cover (optional).
7. Remove 6-pak Egg Ring.
8. Turn eggs and cook for an additional 15 seconds or until done.

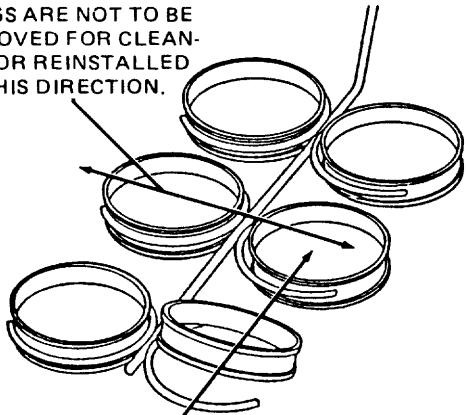
---

## CLEANING

1. Remove egg rings for cleaning by snapping each ring out of the holder. See figure 1.

figure 1

RINGS ARE NOT TO BE REMOVED FOR CLEANING OR REINSTALLED IN THIS DIRECTION.



RINGS TO BE REMOVED FOR CLEANING AND REINSTALLED IN THIS DIRECTION ONLY.

2. Wash with hot soapy water.

**IMPORTANT:** Egg ring and cover are dishwasher safe. If using a cleaner, make sure it is non-abrasive. Abrasives will scour the coating.

---

## PARTS LIST

Item	Part No.	Description
1	261-126	Cover (122-042)
2	122-034Y	Support
3	234-2	Egg Ring

