

123 SCRAMBLED EGG FORM

No Waste Cooking!

Scramble eggs right on the griddle using Prince Castle's scrambled egg form. The scrambled egg form produces neat, appetizing orders of scrambled eggs with little effort. The egg form is coated with a nonstick coating for no-waste cooking and easy cleanup. Durable metal construction prevents eggs from leaking. The 123 egg ring has a 10" diameter and scrambles up to eight eggs at once.



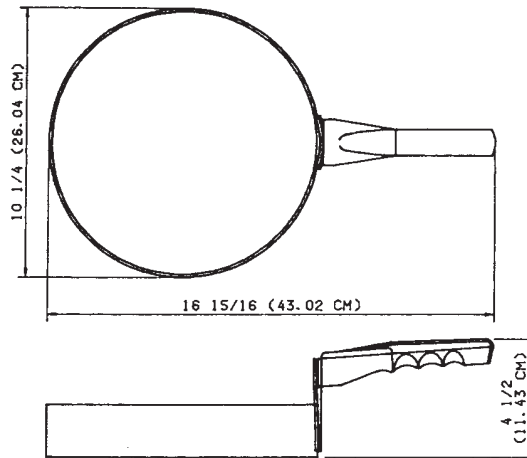
FEATURES

- Scramble up to eight eggs at one time.
- Non-stick coating for no-waste cooking and easy cleanup.
- Saves griddle space.
- Eggs are easier to manage and help you to serve a neat and appetizing egg product.
- Durable, finger-formed Bakelite handle.
- Easy to clean.

ORDERING INFORMATION

Model Number	Description
123	Scrambled Egg Form 10" (25.40 cm) Diameter

CERTIFICATIONS



NO. 123

DIMENSIONS

Model Number	Length in(cm)	Height in(cm)	Ring Height in(cm)	Diameter/Width in(cm)	Shipping Weight lb(kg)
123	16.93 (43.02)	4.50 (11.43)	2.00 (5.08)	142.00 (64.41)	3.00 (1.36)

Designs and Specifications are subject to change without notice.