

SKK2 LETTUCE KUTLETT



SKK2

LETTUCE SLICING FAST:

The Prince Castle Lettuce Kutlett, SKK2 is designed to speed the lettuce slicing task in all types of food service operations.

With its sturdy stainless steel/molding polycarbonate frame, molded polycarbonate bed and polypropylene pressure grid, and aircraft aluminum tension bars, this lettuce slicer is built to last. The Kutlett's stainless steel blades are double-edged, so the lettuce will not bruise, yielding a fresher presentation.

STANDARD FEATURES:

- Produces a uniform size
- Reduces labor cost
- Operates with a simple pull of the handle
- Slices up to 50 heads in five minutes
- Prevents bruising and browning

OPTIONAL ACCESSORIES:

Drum Ring

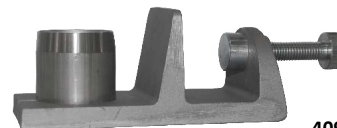
- Fits over a 32-gallon drum container
- Positions the Prince Castle Lettuce Kutlett onto the container
- Directs chopped lettuce into the container, ready for use or storage



40983

Lettuce Corer

- Removes lettuce cores cleanly without bruising or damage
- Aluminum frame can be secured to edge of counter, work table or container with screw clamp

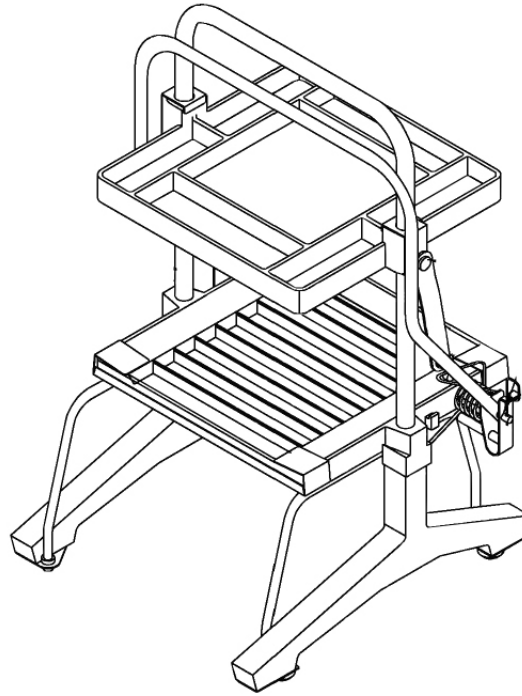


40987

SKK2 LETTUCE KUTLETT

SPECIFICATIONS

LAYOUT:



Designs and specifications are subject to change without notice.

DIMENSIONS:

Model Number	Width in (cm)	Height in (cm)	Length in (cm)	Shipping Weight lb (kg)	Shipping cu.ft. (cu.m.)
SKK2	17.88 (45.00)	27.00 (69.00)	17.00 (43.00)	25.00 (11.00)	4.90 (.14)

ORDERING INFORMATION:

Model	Description
SKK2	Kutlett
40983	Drum Ring, Complete
40987	Lettuce Corer, Complete
25506P	Assy Knife Upper 1 in Cut Parts
25507P	Assy Knife Lower 1 in Cut Parts

CERTIFICATIONS:

