

OPERATING INSTRUCTIONS

Manual Grill Tool Sharpener Model No. 164-A

Redi-Gril®



The Prince Castle manual grill tool sharpener gives a quick sharpened straight edge to scrapers and spatulas. Sharp spatulas pick up grilled meat cleanly without tearing the seared surface. Natural juices are kept in food for more flavor, and a more appetizing appearance. With precision edges cleanup is quick and easy without scratching. Plus, compact size of the manual grill tool sharpener saves valuable counter space.

SPECIFICATION

164-A

Length
Width
Height
Shipping Weight

Dimensions

17" (43.18 cm)
8" (20.32 cm)
7" (17.78 cm)
22lbs. (10 kg.)

TABLE OF CONTENTS

PAGE

| | |
|---------------------------------|---|
| Installation | 2 |
| Operating | 2 |
| Parts List | 3 |
| Troubleshooting | 4 |
| Non-scheduled Maintenance | 4 |

LIMITED WARRANTY

This product is warranted to be free from defects in material and/or workmanship for a period of one year from date of original installation, not to exceed 18 months from date of shipment from our factory.

Any component which proves to be faulty in material and/or workmanship will be replaced or repaired (at the option of Prince Castle, Inc.) without cost to the customer for parts or labor.

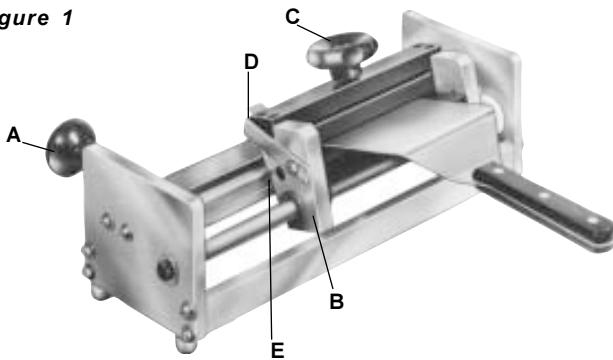
This warranty is subject to the following exceptions/conditions:

- Use of any non-genuine Prince Castle parts voids this warranty. All genuine Prince Castle replacement spare parts are warranted for ninety (90) days from date of purchase.
- Damage caused by carelessness, neglect, and/or abuse (e.g., dropping, tampering or altering parts), equipment damaged in shipment, by fire, flood or an act of God is not covered under this warranty.
- This unit is portable, charges for on location service (i.e. trip charges, mileage) are not included in the provisions of the warranty.

INSTALLATION

1. After you have removed the sharpener from the carton, inspect the unit for signs of damage. If there is damage to the unit:
 - Notify carrier within 24 hours after delivery.
 - Save carton and packing materials for inspection purposes.
 - Contact the Prince Castle Customer Sales Department at 1-800-722-7853 to arrange for a replacement to be sent.
2. Verify that all parts have been received.
3. Clean spatulas and scraper blades with soap and water. Dry thoroughly before sharpening.
4. Assemble knob (item A in figure 1) to back frame of sharpener.

figure 1



IMPORTANT: The knob can be assembled to either side of back frame depending if operator is left or right handed.

OPERATION

5. Turn carriage knob (item C in figure 1) counter-clockwise to open jaws.
6. Lift carriage assembly (item B in figure 1) by large knob (item C in figure 1) upward until it stops. Hold in this position.
8. Press gauge stop bar (item D in figure 1) tab downward until it makes contact with stop pin (item E in figure 1).
9. Insert meat spatula or grill scraper blade squarely against gauge stop bar (item D in figure 1).

IMPORTANT: Center spatula in carriage.

10. Tighten jaws by turning carriage knob (item C in

figure 1) clockwise while holding carriage in the up position.

11. Lift gauge bar (item D in figure 1) upward over detent pin located on the side of the carriage. This pin holds the gauge bar up.
12. Lower carriage assembly (item B in figure 1) with tool to rest on the file.
13. While holding carriage knob (item C in figure 1) with one hand and knob (item A in figure 1) with the other, slide carriage back and forth on file, applying moderate pressure. Continue until spatula has good sharp edge.
14. Remove sharpened tool and burn from back side by sliding along file.
15. Round corners by using a curve motion against the edge of the file. Use the bar as a guide.
16. Wash tool, sanitize and dry.

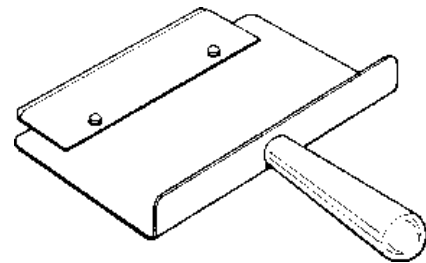


CAUTION: Handle tool carefully to avoid getting cut.

TO SHARPEN REDI-GRIL BLADES

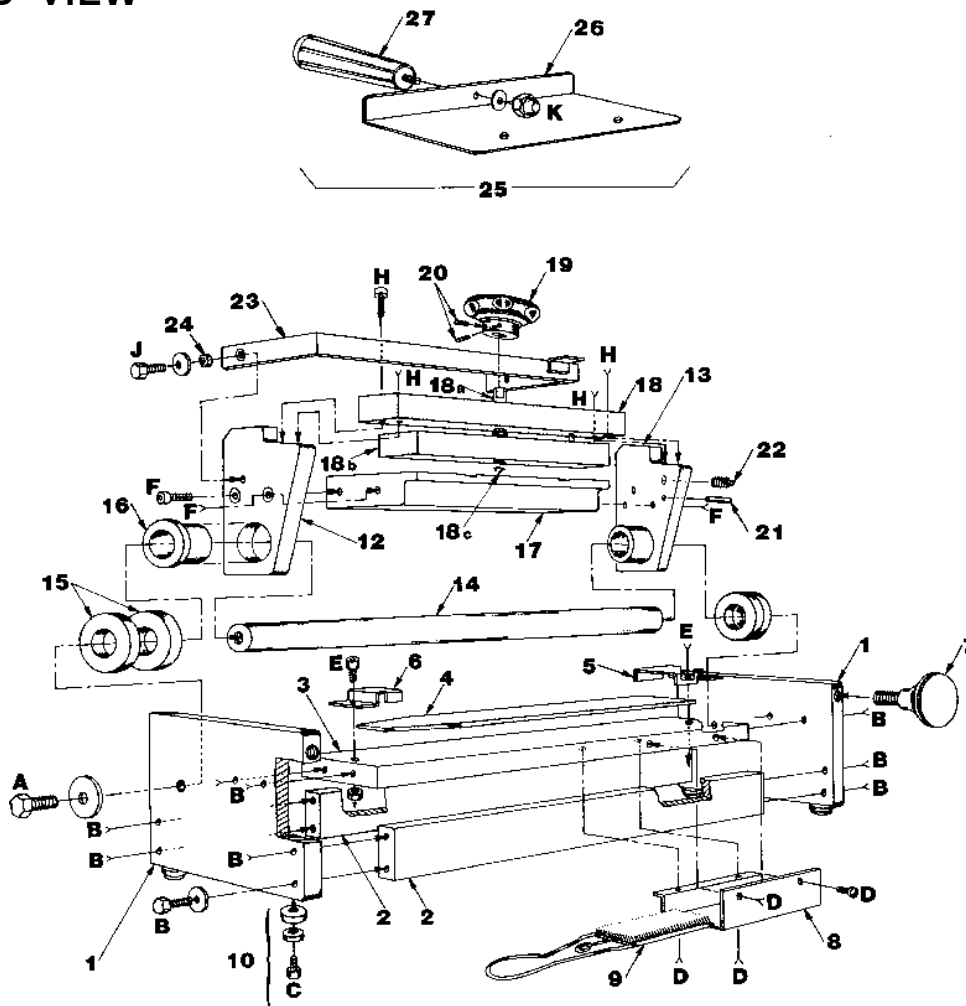
1. Place blade in special holder over pins with beveled side up. See figure 2.

figure 2



2. Hold blade with fingers and turn holder over.
3. Insert tool in carriage assembly against gauge stop.
4. Repeat steps three through 13 under operation.

EXPLODED VIEW



PARTS LIST

| ITEM | PART NO. | DESCRIPTION | ITEM | PART NO. | DESCRIPTION |
|------|----------|-------------------------------|------|----------|--|
| 1 | 164-33 | Side Frame | 25 | 578-282S | Scraper Holder Assembly (optional) |
| 2 | 164-32 | Side Frame Support | 26 | 578-259 | Scraper Holder |
| 3 | 164-31 | File Support | 27 | 152-45 | Handle |
| 4 | 164-27 | File | A | 76-509 | Screw Hex Head Cap 68/16 X 7/8 |
| 5 | 164-70 | Large File Clamp | | 79-077 | Washer, Flat 3/8 I.D. |
| 6 | 164-71 | Small File Clamp | B | 76-311 | Screw Hex Head 1/4-20 X 1 |
| 7 | 164-60 | Knob Assembly | | 79-032 | Washer, Flat 3/8 I.D. |
| 8 | 164-28 | File Cleaner Bracket | C | 76-506 | Screw Soc. Head Cap 10-24 X 1/2 (Part of 164-62) |
| 9 | 89-057 | File Cleaner | D | 76-021 | Screw Rd. Hd. 6-32 X 1/4 |
| 10 | 164-62 | Foot Kit (Pkg. of 4) | E | 76-261 | Screw Soc. Head Cap 1/4-20 X 7/8 |
| 12 | 164-34 | Rt. Hd. Bearing Bracket | | 73-022 | Nut, Hex, 1/4-20 |
| 13 | 164-35 | Lt. Hd. Bearing Bracket | F | 76-508 | Screw Soc. Head Cap 5/16-18 X 3/4 |
| 14 | 164-26 | Carriage Shaft | H | 76-507S | Screw Soc. Head Cap 10-24 X 3/4 (Pkg. of 12) |
| 15 | 164-39 | Carriage Bumper | J | 76-061 | Screw Hex Head 1/4-20 X 3/4 |
| 16 | 62-016 | Flange Bearing Plastic | | 79-032 | Washer, Flat .281 I.D. |
| 17 | 164-48 | ASlide Locking Plate | K | 73-086 | Nut |
| 18 | 578-294 | Mounting Bar Assembly | | 79-028 | Washer |
| 18a | 578-239 | Clamping Handle Stem | | | |
| 18b | 578-255 | Locking Jaw Mounting Bar | | | |
| 18c | 89-305 | Basic External Retaining Ring | | | |
| 19 | 164-58S | Knob | | | |
| 20 | 76-384 | Set Screw | | | |
| 21 | 68-003 | Roll Pin | | | |
| 22 | 89-582 | Spring Plunger | | | |
| 23 | 164-38 | Gauge Stop | | | |
| 24 | 164-43 | Spacer | | | |

TROUBLESHOOTING GUIDE

| PROBLEM | PROBABLE CAUSE | CORRECTIVE ACTION |
|-------------------------|--|--|
| Tool edge not parallel. | Tool not lined up properly in carriage against gauge stop. | Reposition tool in carriage holder. |
| | File worn. | Reposition file to new surface. IMPORTANT: The file can be turned to four positions. |

NON-SCHEDULED MAINTENANCE

Under normal conditions with proper use and cleaning, very little non-scheduled maintenance is required for this unit. However, this section provides procedures for checking and replacement of the various parts used within the cabinet in the event that it becomes necessary. Before replacement of any parts, refer to the troubleshooting guide above. This guide will assist in determining the cause of any malfunction to insure maintenance is required.

To change file or change to new position on existing file:

- A. Remove (2) screws. See item A in figure 3.
- B. Turn file 180 degrees.
- C. Tighten screws.
- D. To use other positions of file, reverse file clamps. See item B in figure 3.

figure 3

